

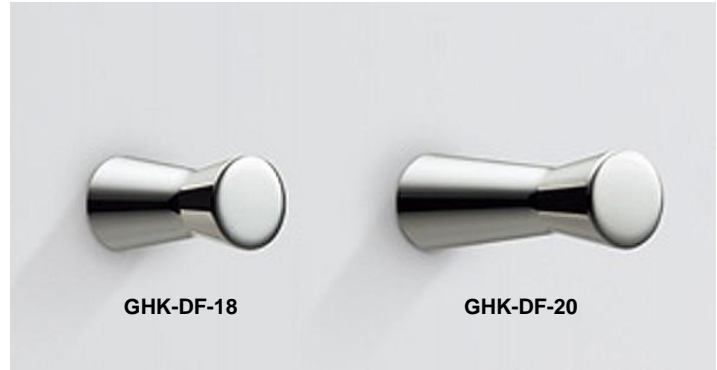
## GHK-DF Stainless Steel Hook

### Features

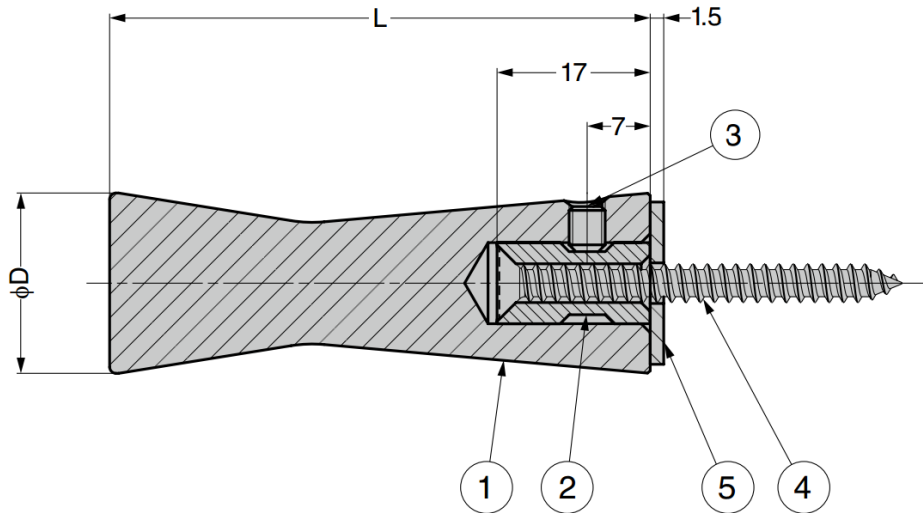
- Symmetrical design for easy installation

### Parts Included

- Countersunk head tapping screw 4x50
- Washer



No.	Part Name	Material	Finish
①	Body	Stainless Steel (SUS303)	Polished
②	Block		Plain
③	Hexagon Socket Set Screw M4 x 5	Stainless Steel	Coloured Zinc Chromate
④	Binding Head Tapping Screw	Steel	
⑤	Washer	Stainless Steel	Plain



Part No.	$D_1$	L	Load Capacity	
GHK-DF-18	18	38	150 N	15.2 kg
GHK-DF-20	20	60		